



**SEASONAL
LIVING®**

Provenance Signature Collection by Laura Muller

Meditation Bench Assembly Instructions

S1568100215 Rectangle Meditation Bench Top

S1568100225299 Meditation Bench Bases

SeasonalLiving.com

Tel 512-554-5738

sales@SeasonalLiving.com

Seasonal Living

Park Tower, Suite 350

4009 Banister Lane

Austin, Texas 78704

United States of America

ASSEMBLY INSTRUCTIONS SUMMARY

READ ALL INSTRUCTIONS PRIOR TO ASSEMBLY AND CHECK THAT YOU HAVE ALL PARTS AND TOOLS PRESENT. DO NOT ASSEMBLE THE BENCH IF YOU ARE MISSING ANY PARTS.

Do NOT use power tools to assemble and tighten bolts. Hand-tighten all bolts ONLY using the provided Allen key.

Step 1: Locate the assembly parts in the bench top carton box.

Step 2: Unpack the pedestal bases and move them to desired location.

Step 3: Adjust the pedestal glides on each base.

Step 4: Install the bench top on top of the pedestal bases.

Step 5: Make final adjustments.

IMPORTANT ASSEMBLY INFORMATION

1. Follow all packaging handling instructions (if any).
2. Check that you have all parts prior to assembly. Do not assemble this bench without all parts being available.
3. All assembly parts can be located on the underside of the bench top.
4. Read the product care instructions prior to assembling the bench.

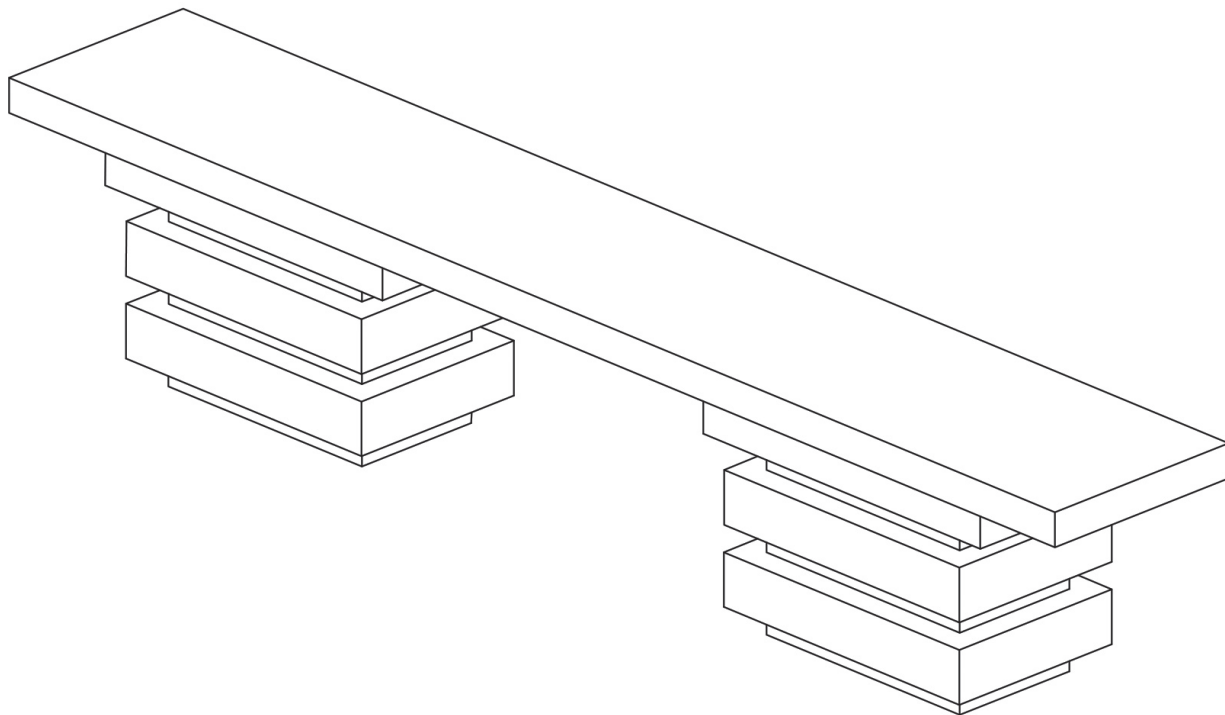
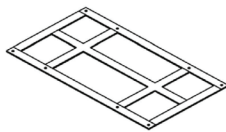
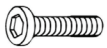
Continued on next page

Provenance Signature Collection by Laura Muller Assembly Instructions

5. Do not attempt to assemble this bench without the assistance of 2 physically capable adults. This product is heavy, lack of physical assistance may result in product damage or physical injury to you or others.
 6. Identify desired location of the bench and check that the ground surface is solid, flat and level.
 7. We recommend that you use 1 or 2 soft, clean moving blankets to help you protect the product post un-packing and prior to assembly.
 8. DO NOT drill or use any other power tools to assemble or tighten the bolts on any part of this dining table. Only use the Allen key to tighten all bolts.
 9. Seek out and check that you have all the adjustable glides (on the pedestal bases) and that they screw and unscrew easily.
 10. Contact Seasonal Living should you require assembly assistance:
Email: Service@SeasonalLiving.com **Tel:** +1-512-554-5738 Mon-Fri 9am to 4pm US Central time.
-

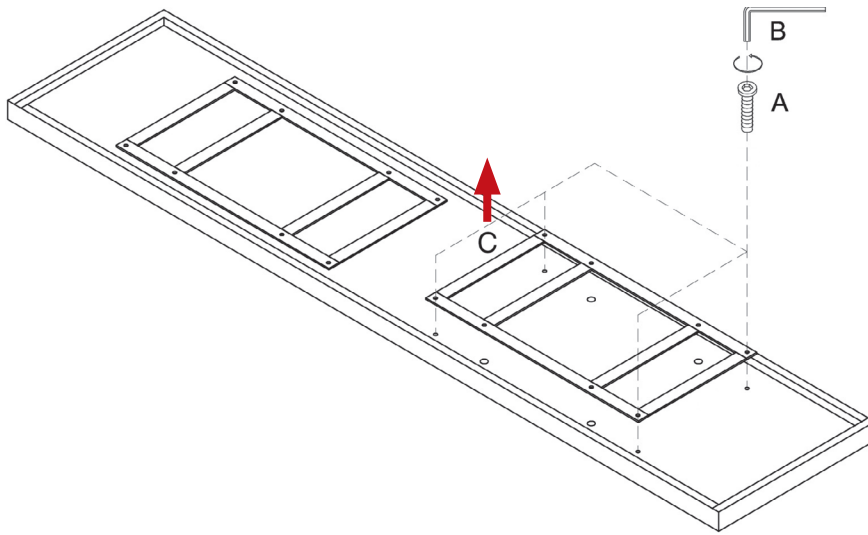
PARTS LIST

A	B	C
Bolt M8 x 25 mm	Allen Key .20"	Metal Support Bracket
16 PCS	1 PC	33.85" x 18.11"
		2 PCS



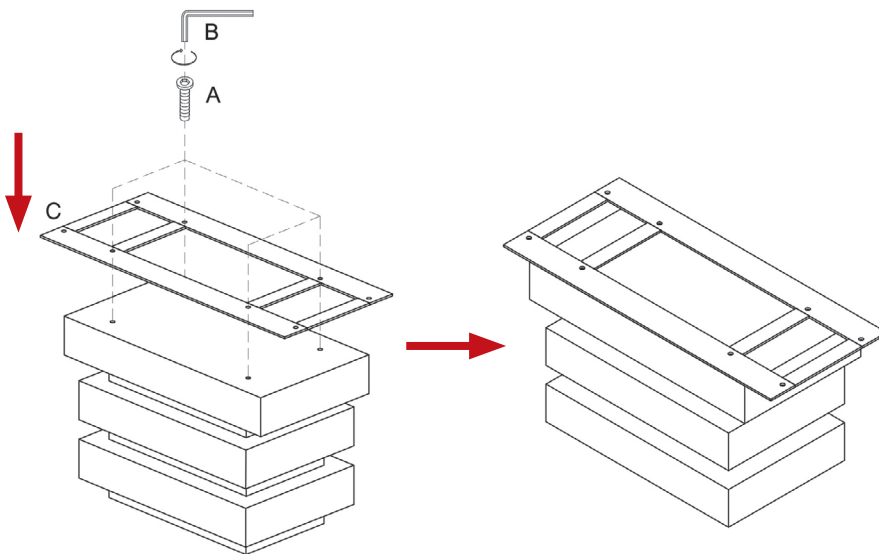
Continued on next page

Provenance Signature Collection by Laura Muller Assembly Instructions



STEP 1: LOCATE THE ASSEMBLY PARTS IN THE BENCH TOP CARTON BOX

- Open the carton box containing the bench top.
- Remove all parts: 2 metal support brackets and 1 red plastic bag containing the assembly parts A and B.
- Check against these instructions that you have all the correct counts of assembly parts.
- Remove the support brackets from back side of the bench top.



STEP 2: UNPACK THE PEDESTAL BASES & MOVE THEM TO THE DESIRED LOCATION OF ASSEMBLY AND USE

- Position the support brackets on top of the pedestal bases, lining up the holes of the support brackets with the holes in the pedestal bases.

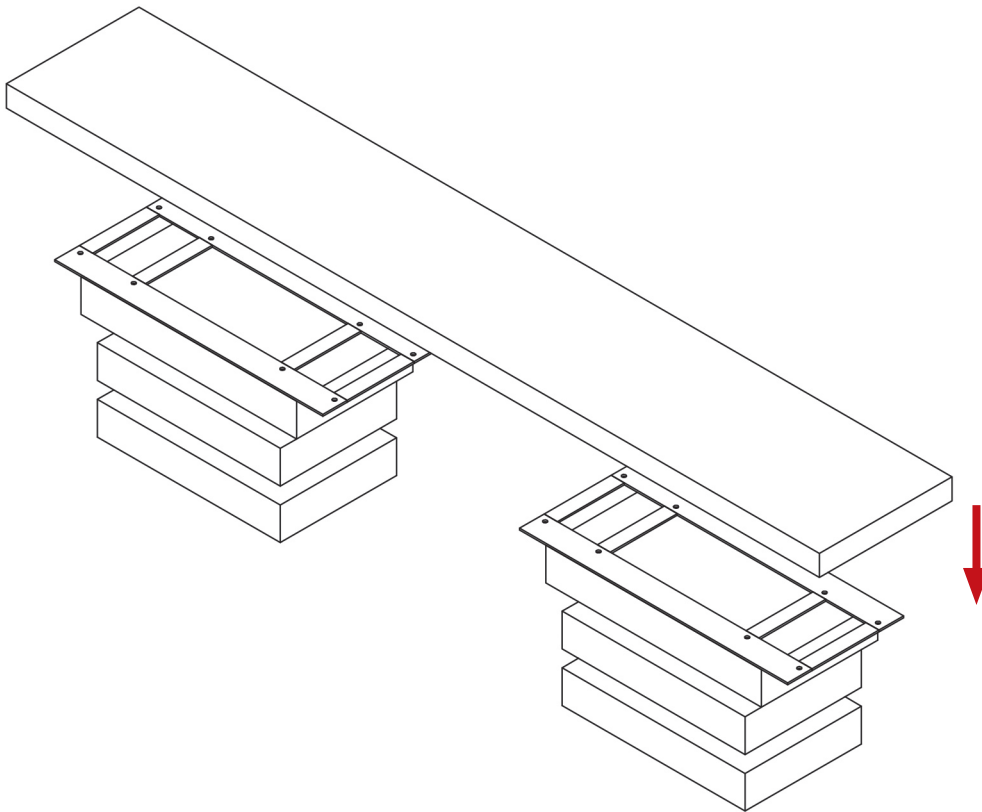
Continued on next page

Provenance Signature Collection by Laura Muller Assembly Instructions

- Thread 4 bolts through one support bracket and hand tighten to one pedestal base using the Allen key. Repeat with another 4 bolts for the second support bracket and pedestal base.
 - Make sure the support brackets are securely fastened to the pedestal bases.
 - Recheck that the pedestal bases are positioned in the final desired location.
-

STEP 3: ADJUST THE PEDESTAL BASE GLIDES (located on the bottom of each pedestal base)

- Adjust the leveler glides to desired height on each pedestal base.
-

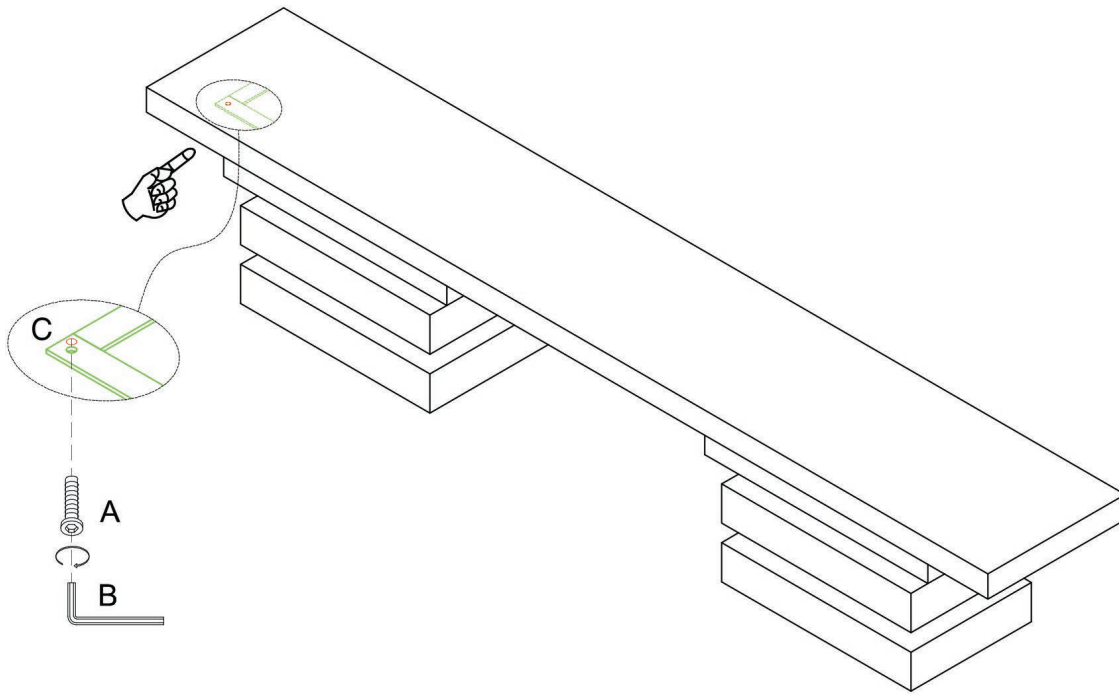


STEP 4: MOVE THE BENCH TOP ON TOP OF THE PEDESTAL BASES AND ATTACH

- Lift all sides of the bench top at the same time.
- Position the bench top centrally over the pedestal bases, using the holes in the bench top as a guide to line up with the holes in the support brackets.
- Using 4 bolts for each pedestal base, connect the bench top to the support brackets.

Continued on next page

Provenance Signature Collection by Laura Muller Assembly Instructions



- Hand tighten the bolts with the Allen key and make sure the bench top is well secured to each support bracket and each pedestal base.

STEP 5: MAKE FINAL ADJUSTMENT TO BOTH PEDESTAL BASE GLIDES FOR IDEAL BENCH HEIGHT

- Check that the assembled bench is the correct height for your needs.
- Adjust glides if necessary.
- Well done—you did it. Enjoy!

CLEANING & CARE

Treat all surfaces of the dining table with care. While the surface is scratch resistant, avoid items that can damage the surface material.

Clean all surfaces with a dry or damp, soft cloth on a regular basis. DO NOT use any abrasive cleaners or liquids.

The assembly parts may loosen over time. Periodically check that the top and base are well-secured.

For detailed product care instructions, read the instructions shipped with your dining table or visit SeasonalLiving.com and navigate to the product page for more information.